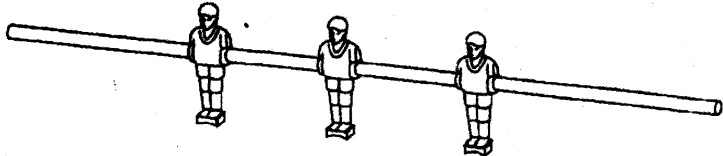
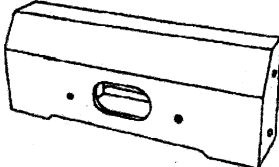
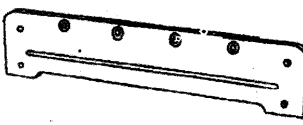
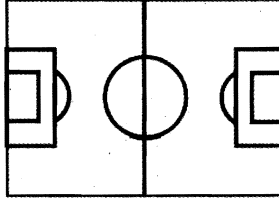



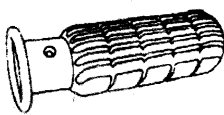

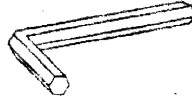

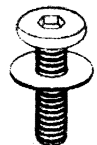


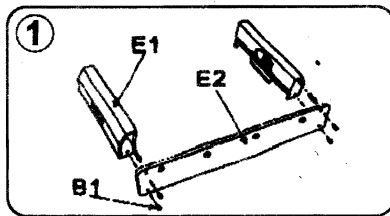
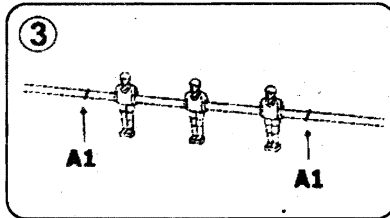


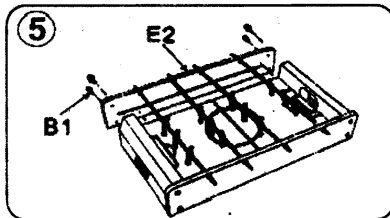
T1/T2/T3/T4				
				
4PCS				
E1		E2		
				
2PCS		2PCS		
E3		E4		
				
1PC		2PCS		
E5	A1	A2	A3	
				
4PCS	8PCS	4PCS	4PCS	
B1	B2	B3		
			Allen key	
8PCS	4PCS	4PCS	1PC	2PCS



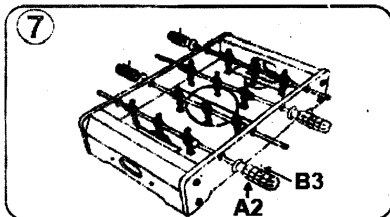
With the aid of an Allen key, use four socket screws(B1) to attach the two smaller end panels (E1) to the long side panel(E2).



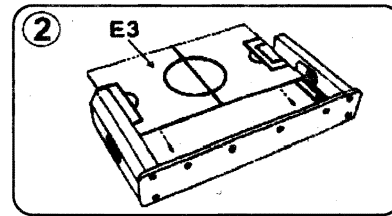
Slide the rings(A1) onto the metal bars(T1,T2, T3 and T4).



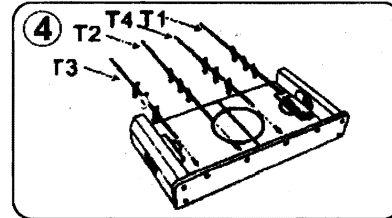
Attach the second side panel as described in illustration 1.



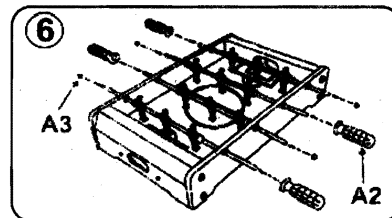
Turn the handle bars(A2) all the way to the stop, use screws(B3) to attach A2 to the metal bars.



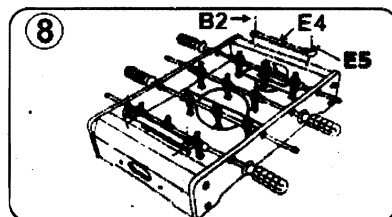
Slide the play area(E3) into the assembled construction as shown in illustration 2.



Insert the metal bars(T1,T2,T3 and T4) into the designated holes in the long panel.



Slide the four handle bars(A2), and pin the four stoppers(A3) tightly onto the metal bars as shown in illustration 6.



Attach the two score scales(E4) to the designated holes with the aid of the fixation parts(E5), use screws(B2) to attach E4&E5 to the panels(E1).